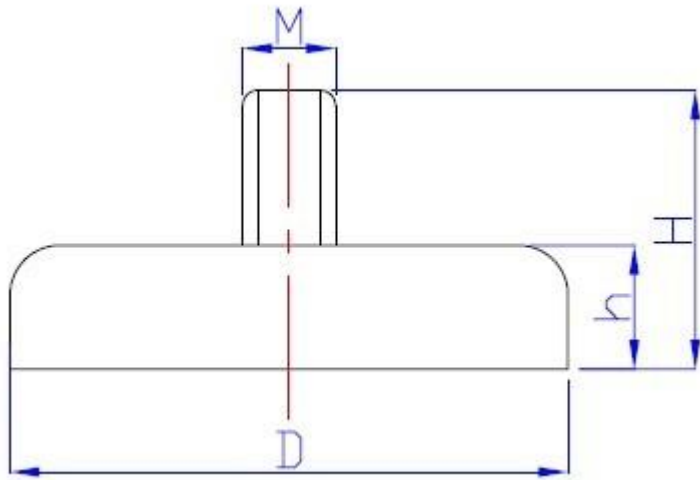


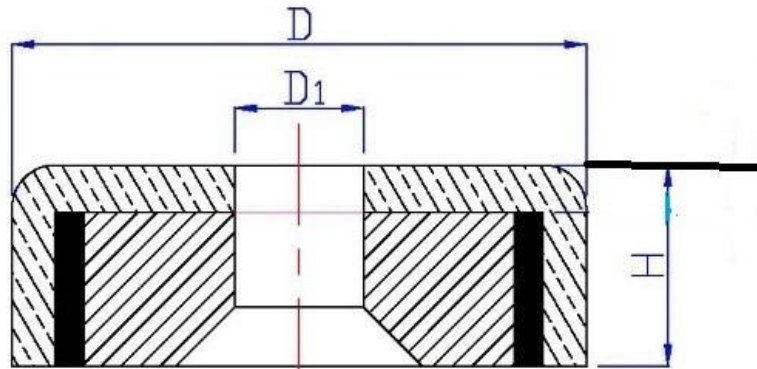
1.DIA-C FERRITE POT



Item Code	FERRITE POT				Pull Force(N)
	D	h	M	H	
DIA-C-10	10	4.5	M3	11.5	4
DIA-C-13	13	4.5	M3	11.5	10
DIA-C-15	15	5	M4	17	15
DIA-C-16	16	4.5	M3	11.5	18
DIA-C-20	20	6	M3	13	30
DIA-C-22	22	7	M5	17	35
DIA-C-22A	22	6	M5	16	35
DIA-C-22B	22	6.5	M5	16.5	35
DIA-C-23	23	7	M5	20	35
DIA-C-25	25	7	M4	15	40
DIA-C-32	32	7	M5	23	80
DIA-C-32A	32	7	M6	23	80
DIA-C-32B	32	7	M4	15	80
DIA-C-57	57	10.5	M6	15.5	280
DIA-C-63	63	14	M8	27	350

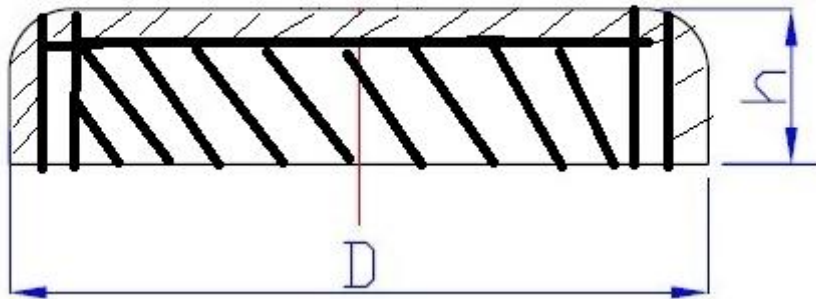
2.DIA-A FERRITE POT

 磁铁 Ferrite magnet
 铁壳 Fe with coating



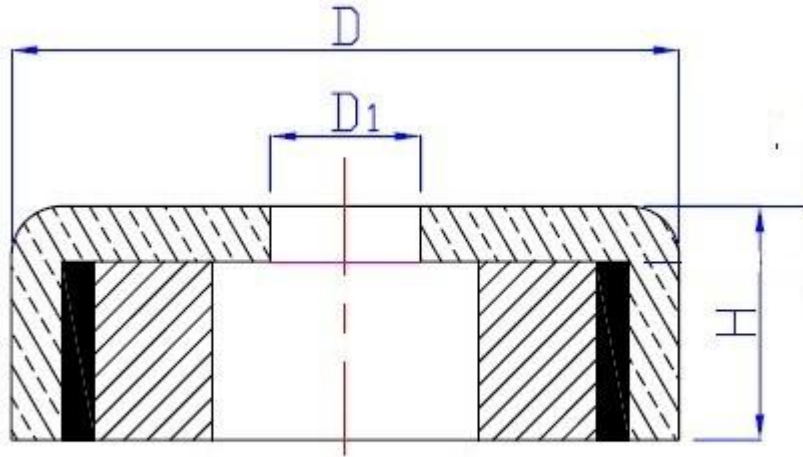
Item Code	COUNTERSINK FERRITE POT			Pull force (N)
	D	H	d1	
DIA-A-16	16	4.5	3.3	14
DIA-A-16B	16	4.5	3.5	NO TEST
DIA-A-20	20	6	4.2	27
DIA-A-20A	20	6	4.2	27
DIA-A-25	25	7	5.5	30
DIA-A-25A	25	7	5.5	30
DIA-A-25B	25	7	5.5	NO TEST
DIA-A-32	32	7	5.5	60
DIA-A-32A	32	7	5.5	72
DIA-A-32B	32	6.8	5.5	72
DIA-A-40	40	8	5.5	90
DIA-A-40B	40	8	5.5	130
DIA-A-50	50	10	8.5	180
DIA-A-50A	50	12	6	18kg
DIA-A-50B	50	10	6.5	NO TEST
DIA-A-80	80	18	8.5	NO TEST
DIA-A-90	90	12.2	10	490

3.DIA-CUP FERRITE POT



Item Code	CUP FERRITE POT		Pull Force(N)
	D	H	
DIA-CUP-10	10	4.5	3
DIA-CUP-13	13	4.5	10
DIA-CUP-16	16	4.5	18
DIA-CUP-17	17	5	24
DIA-CUP-20	20	6	30
DIA-CUP-22	22	4	34
DIA-CUP-23	22.8	5.2	45
DIA-CUP-25	25	7	40
DIA-CUP-32	32	7	80
DIA-CUP-36	36	7.7	100
DIA-CUP-40	40	8	125
DIA-CUP-47	47	9	180
DIA-CUP-50	50	10	220
DIA-CUP-57	57	10.5	280
DIA-CUP-63	63	14	350
DIA-CUP-80	80	18	600
DIA-CUP-100	100	22	900
DIA-CUP-125	125	26	1300

4.DIA-B STRAIGHT HOLD FERRITE POT



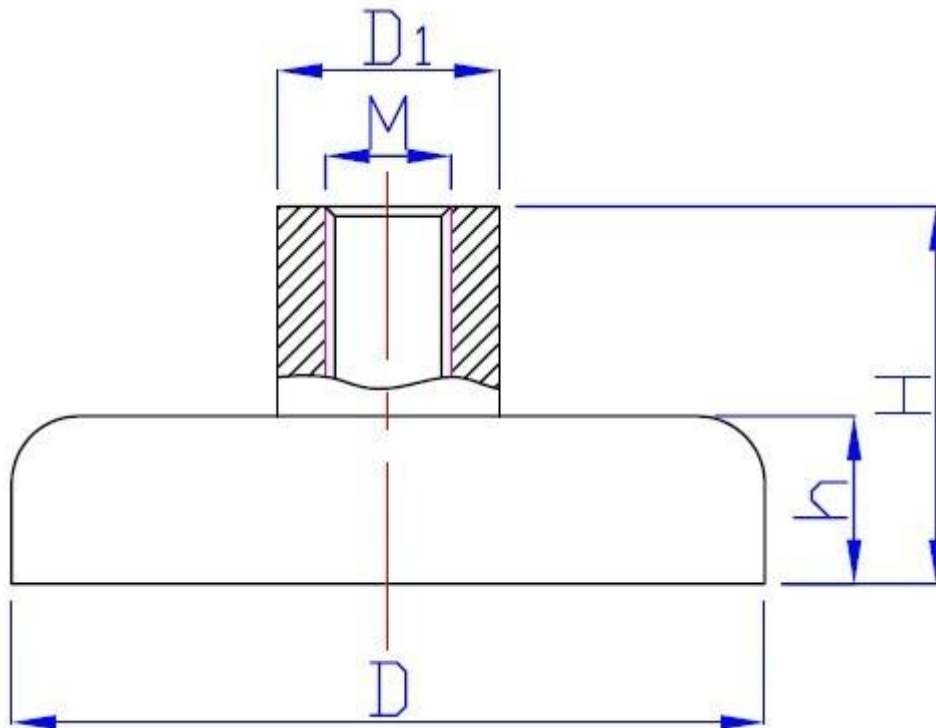
Item Code	straight hole ferrite magnetic pot			Pull Force(N)
	D	H	D1	
DIA-B-24	24	4.9	3.2	30
DIA-B-24A	24	4.9	6.75	30
DIA-B-31.7	31.7	5	6.1	30
DIA-B-32	32	6	6	60
DIA-B-35.5	35.5	7	4.8	60
DIA-B-36B	36	7	4.8	70
DIA-B-45	45	10.3	4.5	70
DIA-B-45A	45	10.3	7	70
DIA-B-45B	45	10.3	4	70
DIA-B-45C	45	11	4.5	70
DIA-B-45D	45	10	6	70
DIA-B-46	46	7.1	4.76	100
DIA-B-50	50	10.5	8.5	180
DIA-B-50B	50	10.5	8.5	180
DIA-B-50D	50	10	8.5	180
DIA-B-50E	50	10	8.5	180
DIA-B-50F	50	10	8	180
DIA-B-51	51	6.3	4.7	60
DIA-B-51.6	51.6	7.85	5.2	130
DIA-B-51.6A	51.6	8	7	150
DIA-B-51.6B	51.6	7.8	5	110

DIA-B-52	52	7.5	4	130
DIA-B-52A	52	7.5	5.2	135
DIA-B-53	53	11	6.5	180
DIA-B-53A	53	10.3	4	150
DIA-B-55	55	11	4.5	180
DIA-B-55A	55	10.3	8	150
DIA-B-55B	55.4	11.1	4.7	
DIA-B-58.5	58.5	11.5	20	
DIA-B-60.2	60.2	9	8	220
DIA-B-60.3	60.3	8.9	6.4	190
DIA-B-63	63	14	6.5	290
DIA-B-63A	63	14	6.5	290
DIA-B-63B	63	8	6.5	110
DIA-B-67	67	9.5	6.3	290
DIA-B-67A	67	9.5	7	290
DIA-B-67B	67	10.8	10.16	290
DIA-B-67D	67	9.5	6.6	290
DIA-B-67E	67	9.5	7.1	290
DIA-B-67F	66.8	9.5	7.1	290
DIA-B-71	71	15.3	10.5	350
DIA-B-71A	71	9.5	6.3	400
DIA-B-71B	71	15	23.5	250
DIA-B-71C	71	15	11.5	
DIA-B-71D	71	15	7	
DIA-B-71.3	71.3	9.5	7	290
DIA-B-73.5	73.5	11.5	40	
DIA-B-76	76	12	6	260
DIA-B-77	77	7	6	
DIA-B-79.5	79.5	11	8.3	350
DIA-B-80	80	18	6.5	475
DIA-B-80A	80	10.5	7.2	290
DIA-B-80B	80	11.11	9.525	300
DIA-B-80C	80	12.7	10.16	450
DIA-B-80D	80	17.8	6.5	540
DIA-B-80E	80	10	6.4	465
DIA-B-81.3	81.3	11	10.2	360
DIA-B-81.3A	81.3	11	7.1	360
DIA-B-81.3B	81.3	10.8	12.7	360
DIA-B-81.3C	81.3	10.7	7.1	150
DIA-B-81.3D	81.3	10.7	7.1	420
DIA-B-81.3E	81.3	11	9.5	400
DIA-B-81.3F	81.3	11.2	9.5	
DIA-B-81.3G	81.3	11.7	20.8	260

DIA-B-83	83	17.3	10.5	600
DIA-B-88	88	18	8.5	550
DIA-B-88A	88	18	13.5	480
DIA-B-88C	88	18	13.5	480
DIA-B-95	95	12.7	12.7	620
DIA-B-96.3	96.3	12.7	9.6	600
DIA-B-96.3A	96.3	12.7	6.35	
DIA-B-98.3	98.3	12.59	9.6	
DIA-B-100	100	22	10.5	680
DIA-B-100A	100	22	10.5	680
DIA-B-124	124	12.7	12.7	700
DIA-B-124.46	124.46	12.7	12.7	700
DIA-B-126	126	11.5	7	

5.DIA-D

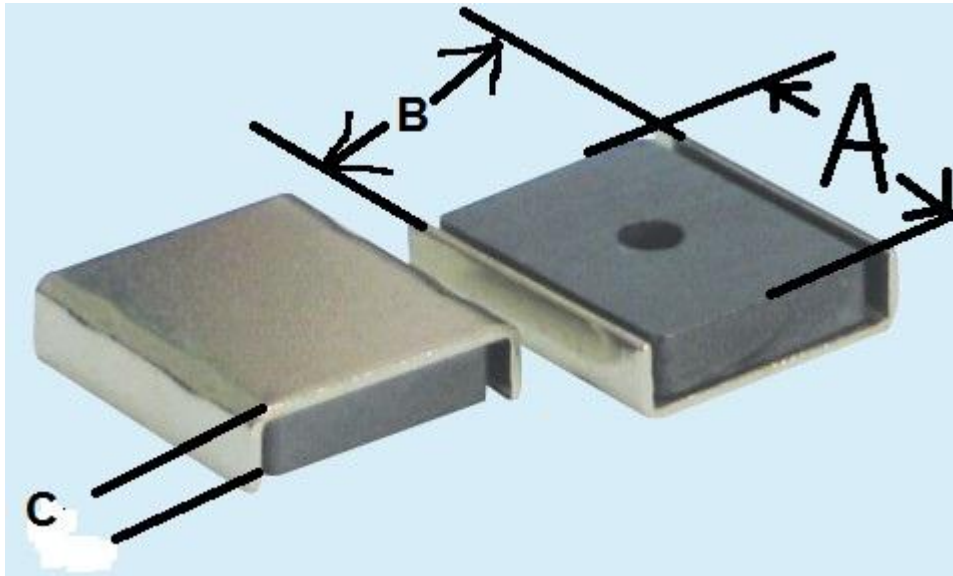
MALE SCREW FERRITE POT



Item Code	MALE SCREW MAGNETIC POT					Pull Force (N)
	D	h	H	D1	M	
DIA-D-10	10	4.5	11.5	6	M3	4
DIA-D-13	13	4.5	11.5	6	M3	10
DIA-D-16	16	4.5	11.5	6	M3	18
DIA-D-20	20	6	13	6	M3	30
DIA-D-25	25	7	15	8	M4	60
DIA-D-25C	25	7	15	8	M4	40
DIA-D-25D	25	7	15	8	M4	40
DIA-D-25E	25	8	15	8	M4	40
DIA-D-25F	25	7	15	8	M4	40
DIA-D-32	32	7	15	8	M4	80
DIA-D-32A	32	7	15	8	M4	75
DIA-D-36	36	7.7	16	8	M4	100
DIA-D-40	40	8	16.5	8	M4	125
DIA-D-40A	40	8	18	10	M5	125
DIA-D-40B	40	8.5	16.5	8	M4	100

DIA-D-40C	40	8	18	10	M5	100
DIA-D-47	47	9	17	8	M4	180
DIA-D-50	50	10	18.5	8	M4	220
DIA-D-50A	50	10	22	12	M6	220
DIA-D-50B	50	10	18.5	8	M4	220
DIA-D-50C	50	10.5	18.5	8	M4	220
DIA-D-57	57	10.5	18.5	8	M4	280
DIA-D-57A	57	11	19	8	M4	250
DIA-D-57C	57	10.6	18.5	12	M4	250
DIA-D-63	63	14	30	15	M8	350
DIA-D-63A	63	14	28	15	M8	350
DIA-D-80	80	18	34	20	M10	600
DIA-D-80A	80	18	34	20	M10	600
DIA-D-100	100	22	43	22	M12	900
DIA-D-125	125	26	50	25	M14	1300
DIA-D-125A	125	26	50	25	M14	1300
DIA-D-125B	125	26	50	25	M10	1300

6.DIA-BLOCK FERRITE POT



ITEM	BLOCK FERRITE POT
	SIZE(AXBXC)
DIA-BFP-01	23.5X25.5X6.9
DIA-BFP-01A	23X25.5X6.9
DIA-BFP-03	17X20X5.2
DIA-BFP-04	22.5X25.5X6
DIA-BFP-06	23X28.7X7
DIA-BFP-18	25.8X24X6.6
DIA-BFP-26	12.28X25X5
DIA-BFP-48	23.3X29.5X6.5
DIA-BFP-49	50.8X50.8X12.7